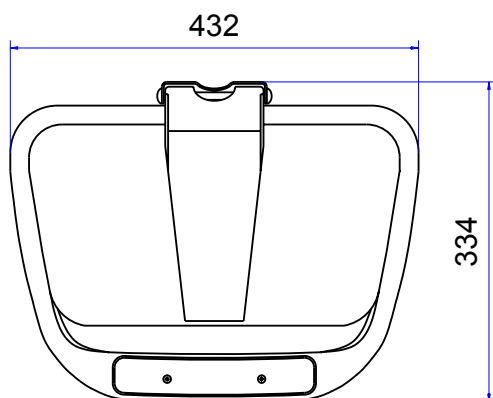
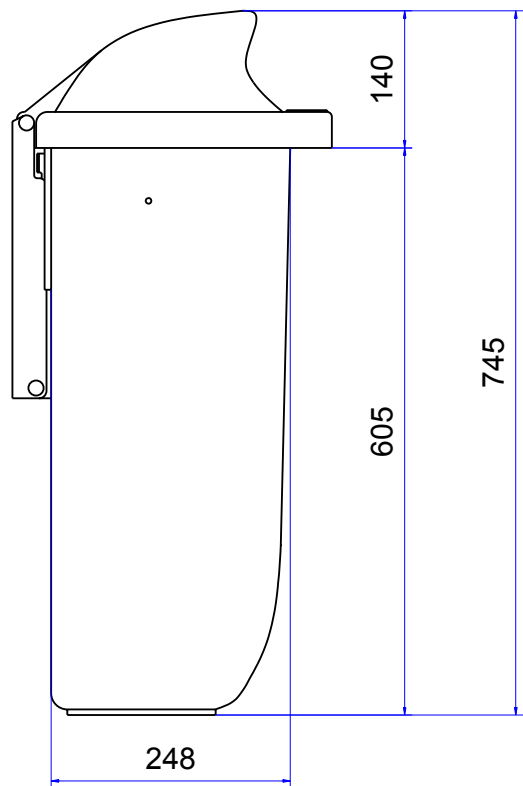
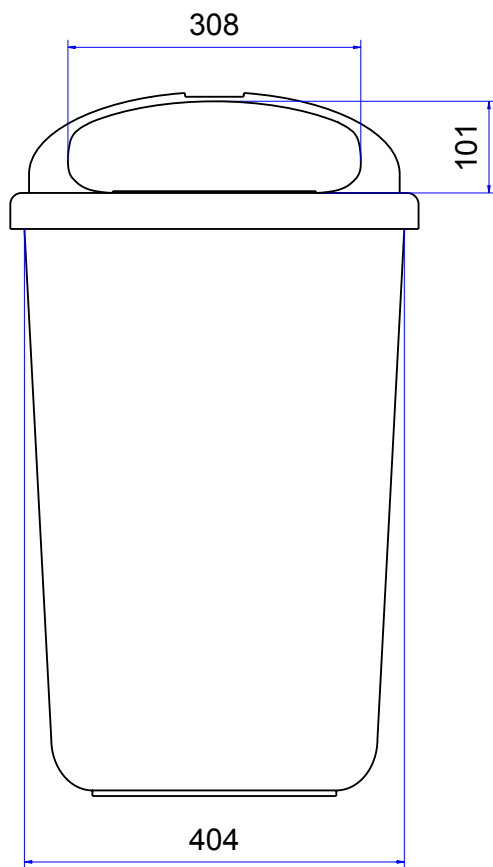


Wheelie Bins from Manufacturer Weber

Dimensions of the 50 Litre (Litter Bins): Sizes and Measures



Wheelie Bins 50 Litre
Sizes, Measures, Dimensions:
Height 745 mm; Width 432 mm; Depth 334 mm

We reserve the right to make any dimensional and constructional alterations at any time. Dimensions can vary slightly after manufacture.

www.w-weber.com