

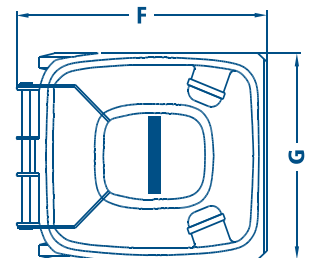
WEBER MINI WHEELIE BIN



SUITABLE FOR ADVERTISING PURPOSES

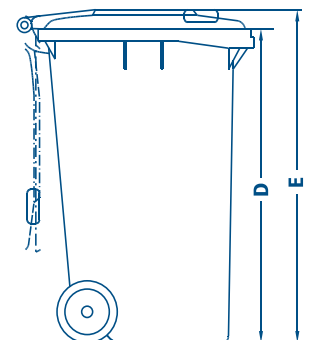
OR FOR YOUR OWN DESK-TOP

- detailed copy of our wheelie bin 240 litre
- resistant to UV-light, cold, heat and chemicals
- manufactured by injection moulding in high-quality virgin raw material
- pollutant-free material - also approved for food packaging
- many uses: desk-top waste bin, pencil holder, money or sweets box
- our miniature wheelie bin can be used for explaining waste management issues, e.g. the topic of waste separation in schools can be illustrated in a playful way
- available in grey, green, red, yellow, blue and brown - additional colours optional



WEBER 2-WHEELED BIN MINIATURE 0,4 L

Nominal volume (l)	0,4
Empty weight (gr)	59
A Lid, width (mm)	70
B Wheel Ø (mm)	25
C Traveling gear, width (mm)	65
D Body, height (mm)	125
E Total height (mm)	136
F Total depth (mm)	93
G Total width (mm)	73
K Customer field max. 35 x 50 mm (customer name or blank)	



We reserve the right to make dimensional and constructional alterations