

# MGB 360 / 660 / 770 / 1100 L

CLINICAL WASTE CONTAINERS IN ACCORDANCE WITH EN 840 / UN-Code 3291 APPROVED



**CLINICAL WASTE**  
SAFE COLLECTION AND TRANSPORTATION

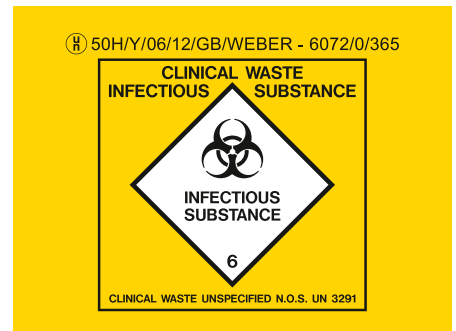
- 1 // SOLID STRIKER PLATE
- 2 // TRIANGULAR SLAM LOCK
- 3 // WATERTIGHT



## MGB 360 / 660 / 770 / 1100 L

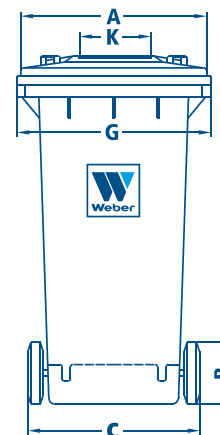
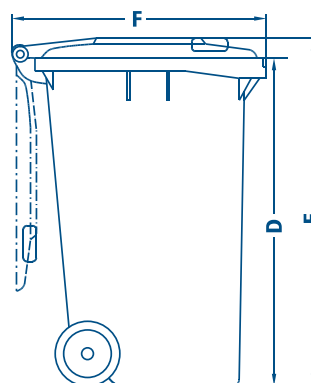
IN ACCORDANCE WITH EN 840 / UN-Code 3291 APPROVED

- certified WEBER Clinical Waste Containers 360, 660, 770 and 1100 litre, made from HDPE in accordance with EN 840-1/2:2012
- resistant to UV, cold, heat and chemicals
- UN-certified for collection of dangerous material
- watertight (without drainage hole)
- with triangular slam lock
- UN-marking 50H/Y
- marked for clinical waste in accordance with UN3291, packing group II



WEBER 2-WHEELED BIN	360 L
Nominal volume (l)	360
Nominal payload (kg)	144
Empty weight ca. (kg)*	20
A Lid, width (mm)	580
B Wheel Ø (mm)	200/300
C Travelling gear, width (mm)	578
D Body, height (mm)	1005
E Total height (mm)	1098
F Total depth (mm)	878
G Total width (mm)	596

K Customer field 197 x 30 mm for all 2-wheeled bins (customer name or blank)



\* Empty weight with solid axle and 200mm Ø wheel

We reserve the right to make dimensional and constructional alterations.